

说明书（折页）

折后尺寸：105mm×55mm

材质：128g双铜，四色双面印刷，不过胶



QUICK GUIDE

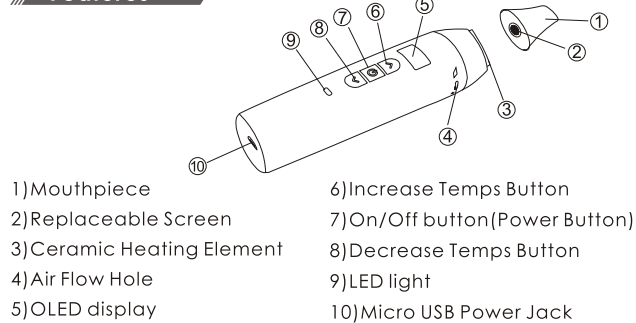
—Read the instruction carefully before first use.

Introduction

Thank you for purchasing this device, this is the advanced OLED display aromatherapy device with full temperature control(300°F-435°F) for vaporizing herbs. The high grade ceramic heating chamber make the vaporization process exceptional and drive the desired effect by baking then combustion, which instantly destroy the key elements found in various herbs and releases a multitude of new chemical compounds. We hope you enjoy the quality and performance of your new vaporizer. To ensure optimal performance and safety of your device, please read this entire manual for instructions.

- 1 -

Features



- 1)Mouthpiece
- 2)Replaceable Screen
- 3)Ceramic Heating Element
- 4)Air Flow Hole
- 5)OLED display
- 6)Increase Temps Button
- 7)On/Off button(Power Button)
- 8)Decrease Temps Button
- 9)LED light
- 10)Micro USB Power Jack

- 2 -

Packing Contents

- 1X Device
- 1X USB Cable
- 1X Cleaning Brush
- 1X Dab Tool
- 1X User Manual
- 1X Packing Box

- 3 -

Packing Contents

Device Size.....146*33*28mm
Capacity & Output.....2200mAh Li-polymer Battery
Resistance.....0.4~0.6ohms
Lock/Unlock.....Press power button 5 times in rapid succession
Heating Up Time.....Within 20 seconds
Safety Power Time.....5 Minutes
Charging Time.....Around 3 hours
Low Power.....Red LED light alternating flash 8 times
Safeguard.....Dual PCB/IC protection

- 4 -

Instructions

1)Loading:

To load the dry herb, please follow below steps:
-Remove the mouthpiece from the heating chamber by lightly pushing the tip of the mouthpiece forward.
-Fill the chamber full with dry herb(always make sure to finely grind your materials before vaporizing), but don't over-pack because proper airflow is needed for best results.
-Re-attach the mouthpiece back once your device has been applied.

Note:
Vaporization may vary depending on type of material and temperature setting.

- 5 -

2) Turning on/off:
Turn on :Once loading the device, press the power button 5 times in rapid succession.
Turn off: Press the power button 5 times again to turn off the device.
Auto shutdown: the device has a safety power duration function, the unit will auto shutdown after 5 minutes of use. Simply press the button 5 times rapidly to re-activate the device.

3)Temperature Setting:
-When the device turn on, your temperature will be set at 375°F, a flashing green LED light will appear and the OLED screen will display the word "Heat" to show that the device is heating up. When the indicator light become solid green the desired temperature is reached and the OLED screen will display the word "Warm".

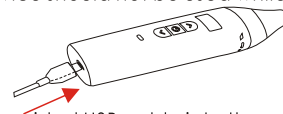
- 6 -

-To change your setting temperature, pressing the "<" or ">" button, you can increase or decrease the desired temperature while the device is heating. The device is capable of reaching any temperature within the range of 300°F to 435°F(149°C - 224°C)
-Press and hold the "<" and power button simultaneously for 3 seconds, you can shift the temperature to Fahrenheit system(°F). Press and hold the ">" and power button simultaneously for 3 seconds, you can shift to Celsius system(°C).
-The device comes equipped with memory data function, when it turn on again, it will automatically heat to the last time heating temperature selected.
-Factory default setting temperature is 375°F.

- 7 -

Charging/Battery Information

-During Operation, a low battery will be indicated by an alternate red light flashing 8 times. That means you have to recharging the device. The device will shutdown if the battery becomes excessively low. (Attention: The device should not be used while charging)



-To charge, plug provided USB cable into the micro USB power jack. A flashing red light indicates charging in process. A solid green light indicates full charge.

- 8 -

-A full charge is recommended before first use and a full charge from empty to full may take around three hours.

Note:

1. Device contains Lithium-ion battery, pls be sure to discard of them in proper receptacle. Don't dispose of in trash. Don't overcharge it and short circuit it.
2. Incompatible chargers may carry a different voltage, which may be a fire hazard, for this reason, we strongly request to use supplied charger along with the package. The use of any charging unit with a different voltage will void the limited warranty offered on the device.
3. In order to prevent overheating, pls don't leave the charger plugged in overnight.

- 9 -

Cleaning and Maintaining

-Lock the device before cleaning, remove the mouthpiece and empty the chamber completely.
-To cleaning the heating chamber, use the cleaning brush to gently remove any excess particles inside and around the chamber.



Note:

1. While using the device, portions of the device may reach high temperatures. Don't clean or disassemble the device until all portions of the device has cooled completely.
2. Don't immerse the device in liquid of any kind, it will damage the heating element)

- 10 -

Cleaning and Maintaining

WARNING: Internal parts of the device reach high temperatures. Use caution when accessing the chamber.
-Keep out of reach of children.
-Don't puncture or incinerate.
-Do not dismantle the device beyond the cleaning and maintenance instructions, Doing so will void the warranty.
-Do not use if damaged.
-Do not touch the heating cup for at least 10 minutes after use as it will be very hot.
-Use only provided power supply to charge battery, use of any other power supply is dangerous and void the warranty.

- 11 -

Warranty Information

The Lativa device has limited product warranty which covers your vaporizer against defects in manufacturing, parts and labor. If your device breaks during the warranty coverage, we will fix or replace it. The battery has a 90 days limited warranty. The unit must be returned in its original packaging along with receipt of purchase.

- 12 -

